

General description

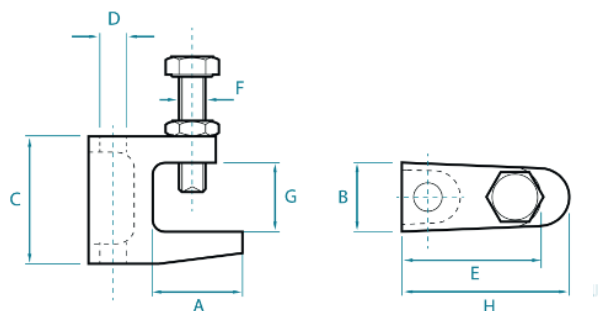
The **CTKN** beam clamps are made to secure threaded rods without drilling or welding onto beams.

- Made of cast iron, zinc plated.
- **Stainless steel available on request**
- Casting tolerance, according to DIN 1684 GTA / 17
- Hexagonal head screws DIN 933 8.8, threaded end with cup point (CP) according to EN ISO 4753 and locknut DIN 439

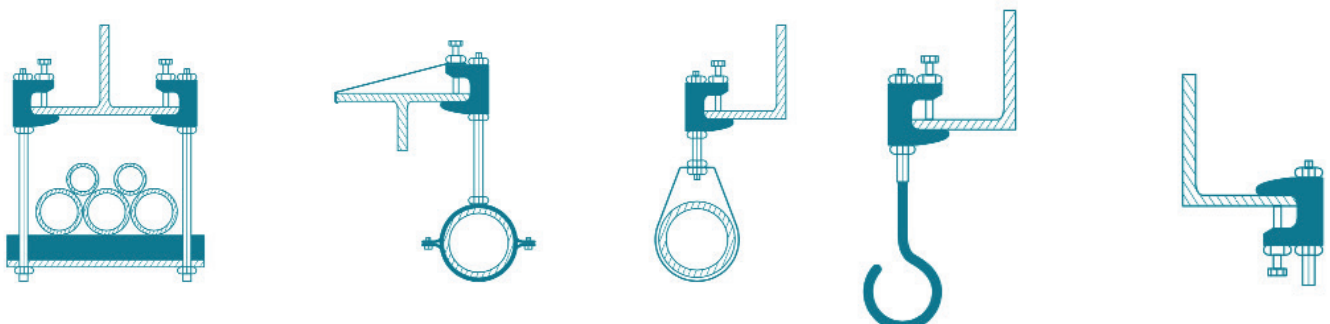


Technical specification

	A	B	C	D	E	F	G	H	Max. load
CTKN8-M8	21 mm	19 mm	35 mm	M8	35 mm	M8	18 mm	38 mm	120 kg
CTKN8-9	21 mm	19 mm	35 mm	Dia. 9 mm	35 mm	M8	18 mm	38 mm	120 kg
CTKN10-M10	23 mm	21 mm	42 mm	M10	41 mm	M10	20 mm	44 mm	250 kg
CTKN10-11	23 mm	21 mm	42 mm	Dia. 11 mm	41 mm	M10	20 mm	44 mm	250 kg
CTKN12-M12	32 mm	23,5 mm	54 mm	M12	48 mm	M10	26 mm	58 mm	350 kg
CTKN12-13	32 mm	23,5 mm	54 mm	Dia. 13 mm	48 mm	M10	26 mm	58 mm	350 kg



Application



Information contained herein is based on careful tests and experience. It reflects our knowledge and is for guidance purpose only. It is given in good faith and user should ensure that the product is fit for purpose before any application. The quoted values are average and should not be taken as maximum or minimum values for specific purposes. Manufacturer and distributor are not responsible for any non-recommended use or consequential damage.